

PIEDINI

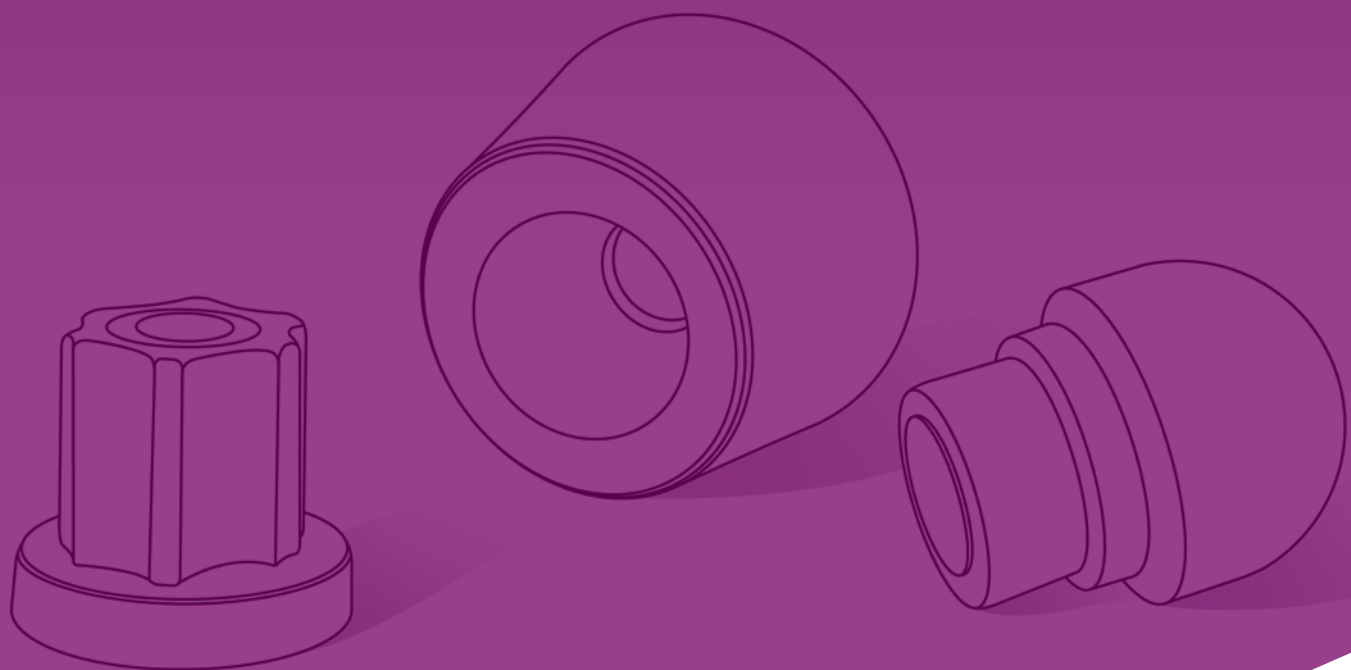
FEET

PIEDINI | *Feet*

PIEDINI REGOLABILI
Adjustable leveling feet

PIEDINO COMPRESSORE
Feet for compressor

PIEDINI ADESIVI | *Bumpers*



MATERIALE | MATERIAL: PVC - TPE | PVC - TPE

COLORI STANDARD | STANDARD COLOURS: Nero - Bianco | Black - White



P/N	DIMENSIONI Sizes				TIPO Type
	D	d	H	L	
00001.91.51	13,0	9,6	3,0	11,7	
30000.53.21	5,0	3,0	4,0	8,0	
04400.21.51	8,0	4,5	2,0	7,0	
04401.21.51	8,0	4,5	3,0	8,0	
04402.21.51	8,0	4,5	4,0	9,0	
04403.21.51	8,0	4,5	5,0	10,0	
04404.21.51	8,0	4,5	6,0	11,0	
00420.21.51	9,0	5,0	3,0	9,0	
30020.53.51	10,0	8,0	3,0	12,0	
30090.53.51	16,0	10,0	6,0	16,0	
72201.21.51	7,0	3,5	1,5	6,5	
30050.53.51	8,0	5,0	3,0	6,0	
30051.53.51	8,0	5,0	3,0	8,0	
30052.53.51	8,0	5,0	3,0	10,0	
30053.53.51	8,0	5,0	3,0	12,0	
30040.53.51	8,0	6,0	2,0	6,0	
30041.53.51	8,0	6,0	2,0	8,0	
30042.53.51	8,0	6,0	2,0	10,0	
30043.53.51	8,0	6,0	2,0	12,0	
30060.53.51	12,0	8,0	2,0	6,5	

MATERIALE | MATERIAL: PVC - Polietilene | PVC - Polyethylene

COLORI STANDARD | STANDARD COLOURS: Nero - Bianco | Black - White

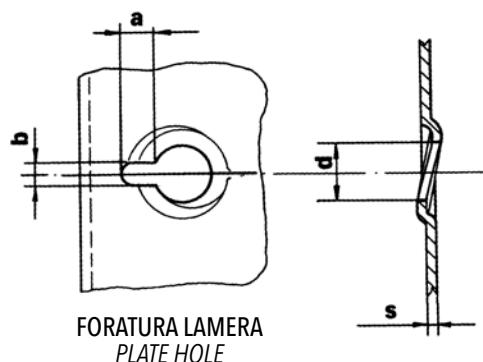
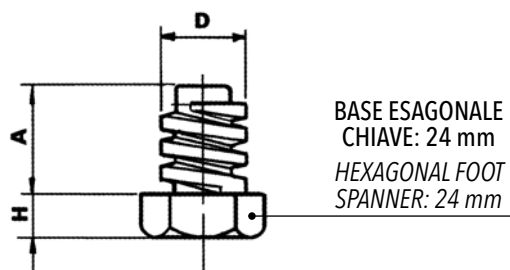


P/N	DIMENSIONI Sizes						TIPO Type
	D	d	E	H	L	S	
00445.21.51	7,0	6,0	12,0	2,0	8,0	1,0	
00446.21.51	7,0	6,0	12,0	4,5	10,5	1,0	
30111.53.51	7,0	6,0	13,0	9,0	15,0	1,0	
30112.53.51	8,0	7,0	13,0	9,0	15,0	1,0	
30113.53.51	9,0	8,0	13,0	9,0	15,0	1,0	
30114.53.51	10,0	9,0	13,0	9,0	15,0	1,0	
00441.21.51	4,0	1,25	8,0	1,5	5,0	1,0	
30190.53.51	6,0	3,0	12,0	2,5	16,0	1,5	
30191.53.51	6,0	3,0	12,0	4,0	16,0	1,5	
30192.53.51	6,0	3,0	12,0	6,0	16,0	1,5	
30120.53.51	6,0	2,0	12,0	3,0	8,0	-	
30121.53.51	6,0	3,0	12,0	3,0	8,0	-	
30130.53.51	9,0	3,0	19,0	5,0	12,0	-	
30131.53.51	9,0	4,0	19,0	5,0	12,0	-	
30132.53.51	9,0	5,0	19,0	5,0	12,0	-	
30180.53.21	12,0	3,0	24,0	6,0	21,0	-	
30181.53.21	12,0	4,0	24,0	6,0	21,0	-	
30182.53.21	12,0	5,0	24,0	6,0	21,0	-	
30183.53.21	12,0	6,0	24,0	6,0	21,0	-	
30184.53.21	12,0	7,0	24,0	6,0	21,0	-	

PIEDINI REGOLABILI | Adjustable leveling feet

MATERIALE | MATERIAL: Polietilene | Polyethylene

COLORI STANDARD | STANDARD COLOURS: Nero | Black

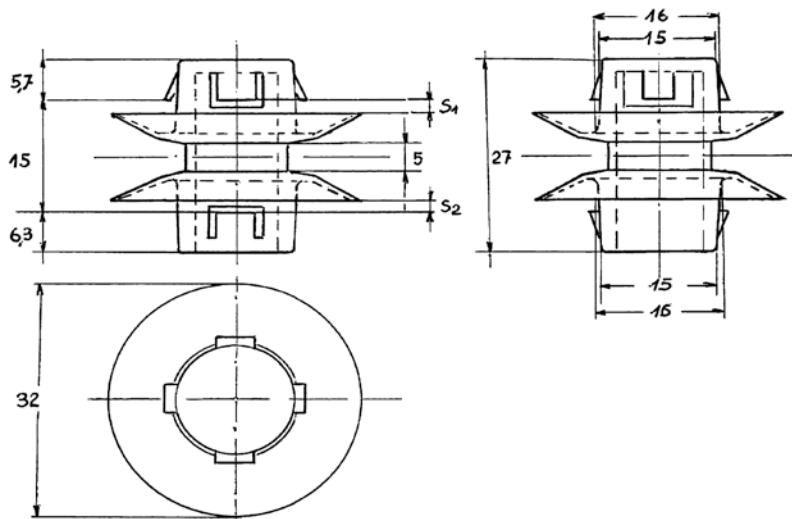


P/N	DIMENSIONI Sizes			PANNELLO Panel			
	A	D	H	d	a	b	s
00080.94.21	23	Ø 17,8	11	Ø 12	8	4	2 max
00081.94.21	23	Ø 17,8	17	Ø 12	8	4	2 max

PIEDINO COMPRESSORE | Feet for compressor

MATERIALE | MATERIAL: Poliammide 6.6 | PA 6.6

COLORI STANDARD | STANDARD COLOURS: Naturale | Natural



P/N	DIMENSIONI Sizes
-----	--------------------

00702.42.10

Come da disegno tecnico.
See technical drawing.

MATERIALE | MATERIAL: Poliuretano | Polyurethane

COLORI STANDARD | STANDARD COLOURS: Trasparente - Nero - Bianco | Clear - Black - White



P/N	DIMENSIONI Sizes		TIPO Type
	W	H	
04020.22.51	10,2	2,5	
04032.22.51	12,7	3,0	
26003.22.51	12,7	5,8	
04026.22.51	19,8	6,4	
02498.22.51	20,6	7,6	
04034.22.51	9,5	3,2	
04002.22.51	9,5	4,8	
04005.22.51	12,7	1,5	
04001.22.51	12,7	3,5	
02493.22.51	12,7	6,4	
04011.22.51	16,5	10,2	
04044.22.51	19,1	4,1	
04041.22.51	19,8	5,1	
04024.22.51	20,6	3,0	
04072.22.51	31,24	2,54	
04040.22.51	6,4	1,6	
04027.22.51	7,9	2,2	
04007.22.51	8,5	2,2	
04012.22.51	9,5	3,8	
04022.22.51	9,5	5,4	
04200.22.51	11,1	5,1	
04015.22.51	15,7	7,9	
26005.22.51	17,8	9,6	
04004.22.51	19,1	1,9	

P/N	DIMENSIONI Sizes		TIPO Type
	W	H	
04030.22.51	46,0	15,2	
26017.22.51	22,3	10,2	
04400.22.51	19,8	9,7	
04036.22.51	25,4	4,6	
04037.22.51	18,3	14,2	