



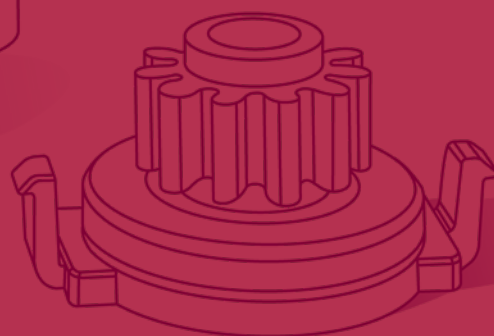
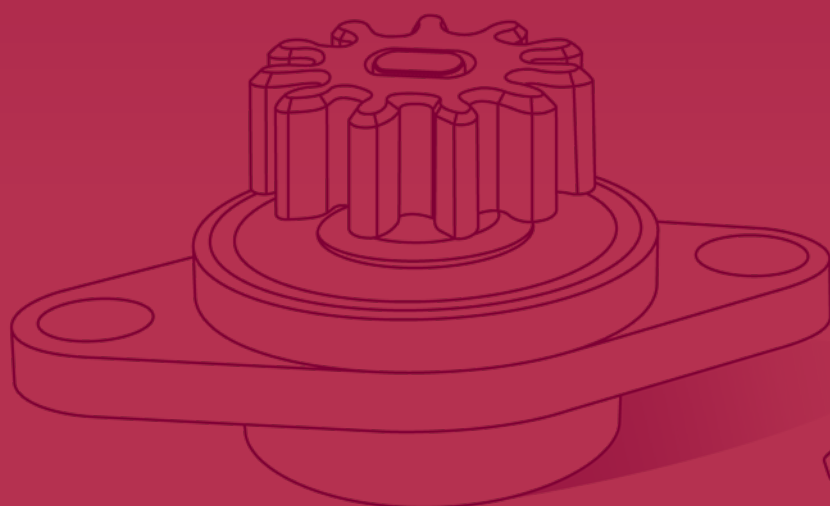
RALLENTATORI

ROTARY DAMPERS

CON FISSAGGIO A SCATTO
Snap in mounting

CON FISSAGGIO A VITE
Mounting with screw

CON FISSAGGIO A VITE "GRANDI"
Mounting with screw "big"



CON FISSAGGIO A SCATTO | Snap in mounting

MATERIALE | MATERIAL: Nylon 66 | PA 66

COLORI STANDARD | STANDARD COLOURS: Nero | Black



P/N	MOMENTO TORCENTE <i>Torque</i>	TIPO <i>Type</i>
30250.39.009	0,12 Ncm	
30250.39.06	0,25 Ncm	
30250.39.002	0,30 Ncm	
30250.39.05	0,45 Ncm	
30250.39.01	0,60 Ncm	
30250.39.04	0,95 Ncm	
30250.39.03	1,20 Ncm	
30250.39.001	1,50 Ncm	
30250.39.09	2,20 Ncm	
30290.39.009	0,12 Ncm	
30290.39.06	0,25 Ncm	
30290.39.002	0,30 Ncm	
30290.39.05	0,45 Ncm	
30290.39.01	0,60 Ncm	
30290.39.04	0,95 Ncm	
30290.39.03	1,20 Ncm	
30290.39.001	1,50 Ncm	
30290.39.09	2,20 Ncm	
30291.39.009	0,12 Ncm	
30291.39.06	0,25 Ncm	
30291.39.002	0,30 Ncm	
30291.39.05	0,45 Ncm	
30291.39.01	0,60 Ncm	
30291.39.04	0,95 Ncm	
30291.39.03	1,20 Ncm	
30291.39.001	1,50 Ncm	
30291.39.09	2,20 Ncm	

CON FISSAGGIO A VITE | Mounting with screw

MATERIALE | MATERIAL: Nylon 66 | PA 66

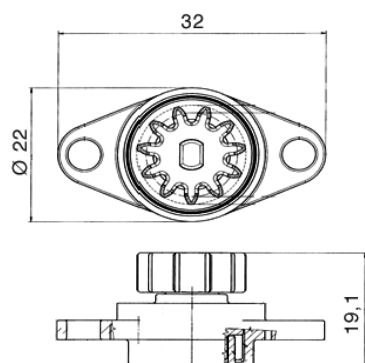
COLORI STANDARD | STANDARD COLOURS: Nero | Black



P/N	MOMENTO TORCENTE <i>Torque</i>	TIPO <i>Type</i>
30252.39.009	0,12 Ncm	
30252.39.06	0,25 Ncm	
30252.39.002	0,30 Ncm	
30252.39.05	0,45 Ncm	
30252.39.01	0,60 Ncm	
30252.39.04	0,95 Ncm	
30252.39.03	1,20 Ncm	
30252.39.001	1,50 Ncm	
30252.39.09	2,20 Ncm	
30300.39.009	0,12 Ncm	
30300.39.06	0,25 Ncm	
30300.39.002	0,30 Ncm	
30300.39.05	0,45 Ncm	
30300.39.01	0,60 Ncm	
30300.39.04	0,95 Ncm	
30300.39.03	1,20 Ncm	
30300.39.001	1,50 Ncm	
30300.39.09	2,20 Ncm	
30329.39.009	0,12 Ncm	
30329.39.06	0,25 Ncm	
30329.39.002	0,30 Ncm	
30329.39.05	0,45 Ncm	
30329.39.01	0,60 Ncm	
30329.39.04	0,95 Ncm	
30329.39.03	1,20 Ncm	
30329.39.001	1,50 Ncm	
30329.39.09	2,20 Ncm	

MATERIALE | MATERIAL: Nylon 66 | PA 66

COLORI STANDARD | STANDARD COLOURS: Nero | Black



P/N	MOMENTO TORCENTE <i>Torque</i>	DIREZIONE RALLENTATA <i>Slowed direction</i>
30196.39.07A	3,0 Ncm	SX
30196.39.11A	4,0 Ncm	SX
30196.39.08A	5,5 Ncm	SX
30196.39.09A	7,5 Ncm	SX
30196.39.10A	11,0 Ncm	SX
30196.39.12A	15,0 Ncm	SX
30197.39.07B	3,0 Ncm	DX
30197.39.11B	4,0 Ncm	DX
30197.39.08B	5,5 Ncm	DX
30197.39.09B	7,5 Ncm	DX
30197.39.10B	11 Ncm	DX
30197.39.12B	15,0 Ncm	DX

P/N	MOMENTO TORCENTE <i>Torque</i>	DIREZIONE RALLENTATA <i>Slowed direction</i>
30174.39.07	3,0 Ncm	DX + SX
30174.39.11	4,0 Ncm	DX + SX
30174.39.08	5,5 Ncm	DX + SX
30174.39.09	7,5 Ncm	DX + SX
30174.39.10	11,0 Ncm	DX + SX
30174.39.12	15,0 Ncm	DX + SX