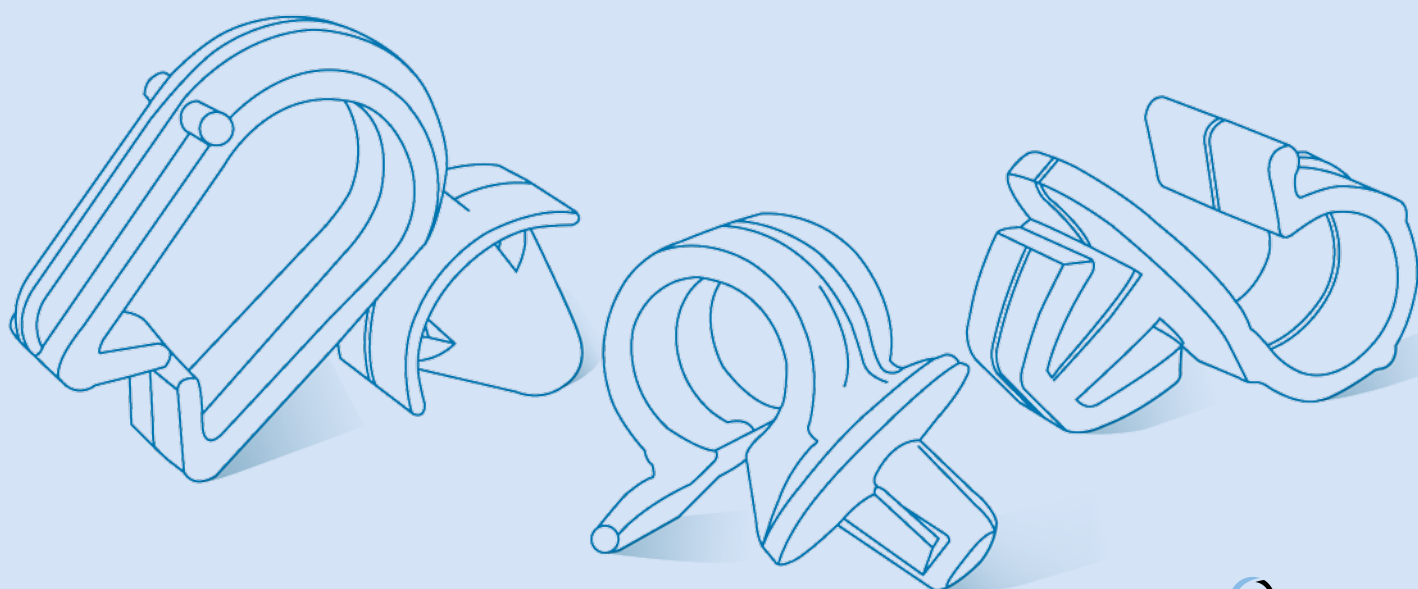


FERMACAVI - FERMATUBI

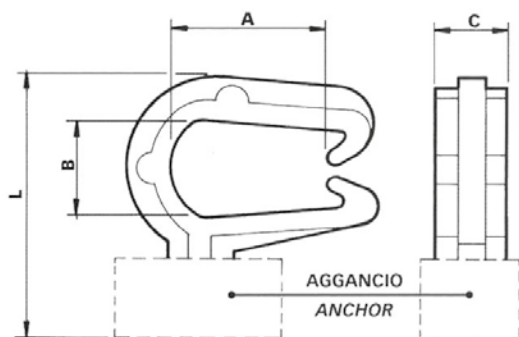
WIRE - PIPE CLIPS

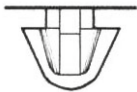






INSERIMENTO LATERALE | Lateral insertion

MATERIALE | MATERIAL: Nylon 66 | PA 66**COLORI STANDARD | STANDARD COLOURS:** Naturale - Nero | Natural - Black

DETTAGLI | DETAILS

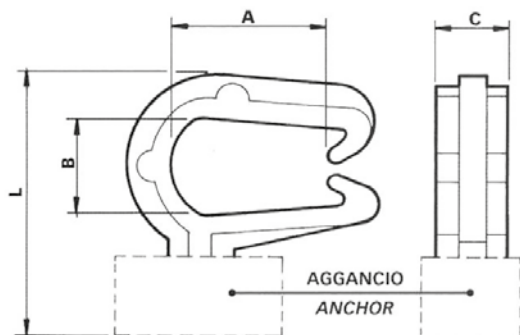


P/N	DIMENSIONI Sizes				PANNELLO Panel		AGGANCIAMENTO Anchor
	A	B	C	L	FORO Hole	SPESSORE Thickness	
00600.65.10	16,0	10,5	6,5	26,0	Ø 5,0	0,6 ÷ 1,7	
00174.65.11	9,0	7,5	6,3	23,5	Ø 6,5	0,5 ÷ 1,5	
00830.44.10	-	Ø 14,5	10,0	31,0	Ø 6,5	0,8 ÷ 2,0	
00329.65.11	16,0	10,5	7,5	29,5	Ø 6,5	0,8 ÷ 2,0	
06681.65.11	-	Ø 9,0	12,0	22,0	8,0 x 8,0	1,5	
05448.21.10	9,2	5,8	5,0	20,6	Ø 6,5	0,6 ÷ 2,0	
02933.02.11	-	Ø 8,0	8,0	20,0	Ø 5,2	0,7 ÷ 1,5	
00301.03.10	-	Ø 4,8	9,0	16,0	Ø 6,5	1,0 ÷ 1,5	
00377.71.10	-	Ø 7,0	9,0	20,0	Ø 6,5	0,7 ÷ 1,2	
00597.02.10	-	Ø 10,0	9,0	23,0	Ø 6,5	0,7 ÷ 1,5	
00448.02.10	-	Ø 11,0	9,0	25,5	Ø 6,5	0,7 ÷ 1,2	
02796.65.10	-	Ø 11,0	9,0	24,0	Ø 6,5	1,5 ÷ 2,0	
04700.21.11	15,5	10,0	7,8	32,5	Ø 6,5	0,8 ÷ 6,0	
01194.94.11U	-	Ø 10,0	7,0	26,5	Ø 6,5	2,5 ÷ 7,5	

INSERIMENTO LATERALE | Lateral insertion

MATERIALE | MATERIAL: Nylon 66 | PA 66**COLORI STANDARD | STANDARD COLOURS:** Naturale - Nero | Natural - Black

DETTAGLI | DETAILS

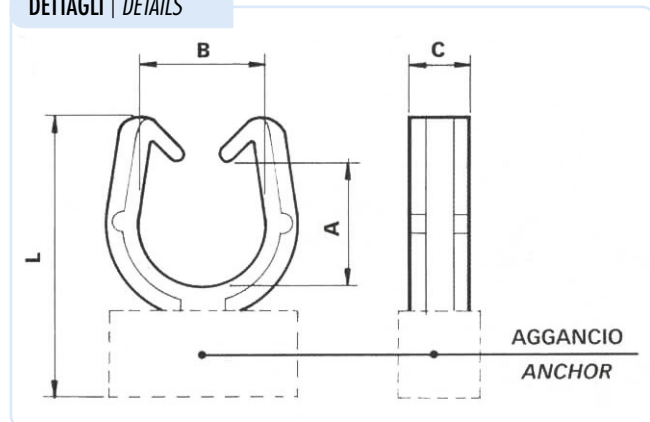


P/N	DIMENSIONI Sizes				PANNELLO Panel		AGGANCIO Anchor
	A	B	C	L	FORO Hole	SPESSORE Thickness	
00472.71.10	-	Ø 5,8	9,0	13,0	12,5 x 5,5	0,7 ÷ 1,2	
05049.71.10	-	Ø 10,0	9,0	17,5	12,5 x 5,5	0,7 ÷ 1,5	
00025.91.10	-	Ø 11,0	9,0	19,5	12,5 x 5,5	0,7 ÷ 1,2	
01578.94.10	-	Ø 20,0	12,0	30,5	12,5 x 5,5	0,7 ÷ 1,5	
01209.94.17U	-	Ø 11,0	9,0	24,0	15,5 x 6,5	0,7 ÷ 1,2	
00965.65.10	-	Ø 12,0	12,0	24,0	15,5 x 6,5	0,7 ÷ 1,0	
00841.71.10	25,5	13,0	13,0	25,5	15,5 x 6,5	0,7 ÷ 1,2	

INSERIMENTO DALL'ALTO | Upper insertion

MATERIALE | MATERIAL: Nylon 66 | PA 66**COLORI STANDARD | STANDARD COLOURS:** Naturale - Nero | Natural - Black

DETTAGLI | DETAILS

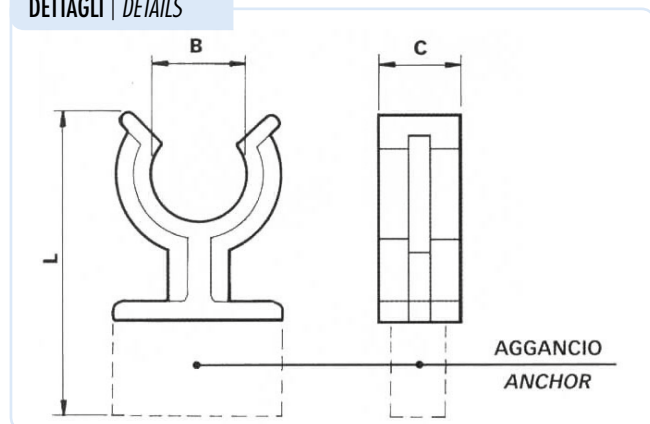






P/N	DIMENSIONI Sizes				PANNELLO Panel		AGGANCIO Anchor
	A	B	C	L	FORO Hole	SPESSORE Thickness	
00318.70.11	-	Ø 15,0	8,0	35,0	Ø 6,5	0,8 ÷ 2,0	
00010.91.10	-	Ø 10,0	5,5	23,5	Ø 4,8 ÷ 5,0	0,6 ÷ 1,5	
05544.21.10	20,8	17,0	8,0	40,1	Ø 6,5	0,6 ÷ 2,0	
02282.79.10	22,0	23,0	8,0	39,0	Ø 6,5	0,8 ÷ 1,5	
01564.19.10	10,0	9,0	6,0	25,3	Ø 7,0	0,5 ÷ 2,5	
06137.94.11	-	Ø 10,0	14,0	28,5	Ø 8,0	1,0 ÷ 2,0	
00678.65.10	-	Ø 9,0	10,0	23,2	Ø 6,5	0,7 ÷ 2,0	
00551.65.11	-	Ø 12,0	12,0	24,5	Ø 6,5	0,7 ÷ 2,0	
05173.44.17	-	Ø 6,0	12,0	23,5	Ø 8,0	2,0 ÷ 3,5	

INSERIMENTO DALL'ALTO | Upper insertion

MATERIALE | MATERIAL: Nylon 66 | PA 66**COLORI STANDARD | STANDARD COLOURS:** Naturale - Nero | Natural - Black

DETTAGLI | DETAILS



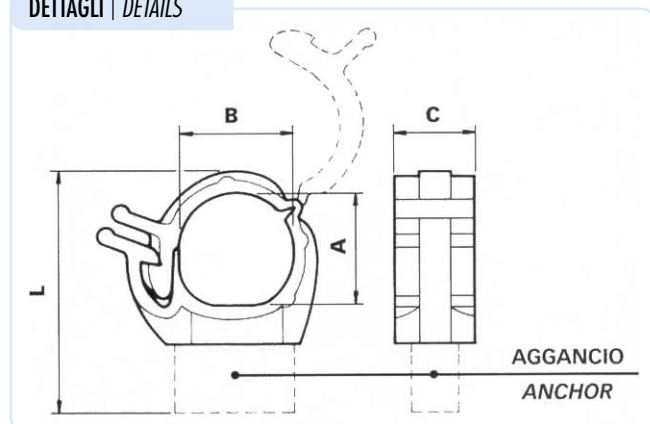
P/N	DIMENSIONI Sizes				PANNELLO Panel		AGGANCIO Anchor
	A	B	C	L	FORO Hole	SPESSORE Thickness	
03421.94.10U	-	Ø 6,0	10,0	19,5	Ø 6,5	0,7 ÷ 1,5	
05867.02.11	-	Ø 5,0	9,5	19,2	∅ 7,0	0,7 ÷ 1,5	
00046.91.11	-	Ø 9,2	10,0	16,0	11,0 x 5,5	0,7 ÷ 0,8	
01416.71.11	-	Ø 8,0	15,0	19,0	12,5 x 5,5	1,5	

CHIUSURA TOTALE | With complete closure

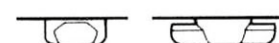
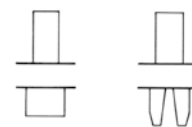
MATERIALE | MATERIAL: Nylon 66 | PA 66

COLORI STANDARD | STANDARD COLOURS: Naturale - Nero | Natural - Black

DETTAGLI | DETAILS



P/N	DIMENSIONI Sizes				PANNELLO Panel		AGGANCIAMENTO Anchor
	A	B	C	L	FORO Hole	SPESSORE Thickness	
06281.05.11	10,0	10,0	10,0	26,0	Ø 6,5	0,7 ÷ 1,2	
04787.94.11	13,0	13,0	12,0	33,0	Ø 6,5	0,7 ÷ 2,0	
01852.02.10	15,0	15,0	10,0	29,0	Ø 6,5	0,7 ÷ 2,0	
01498.65.10	17,0	27,6	13,0	29,0	Ø 6,5	0,7 ÷ 1,5	
01853.05.11	20,0	20,0	12,0	33,0	Ø 6,5	0,7 ÷ 1,5	
06235.05.11	23,0	23,0	12,0	38,0	Ø 6,5	0,7 ÷ 2,0	
06827.94.11	28,0	28,0	15,0	47,0	Ø 6,5	0,7 ÷ 1,5	
01859.65.11	22,0	40,0	15,0	31,0	Ø 6,5	0,7 ÷ 2,0	
06986.05.11	5,0	5,0	12,0	22,5	Ø 8,0	0,7 ÷ 1,5	
02654.02.11	15,0	15,0	10,0	29,0	Ø 8,0	0,7 ÷ 2,0	
06282.44.11	16,0	16,0	12,0	31,0	Ø 8,0	1,0 ÷ 2,0	
08173.71.11	18,0	18,0	10,0	32,0	Ø 8,0	0,7 ÷ 2,0	
02455.71.11	20,0	20,0	12,0	34,0	Ø 8,0	0,7 ÷ 2,0	
01856.65.11	15,0	27,0	13,0	30,0	Ø 8,0	0,7 ÷ 2,0	
01858.02.11	20,0	35,0	14,0	34,0	Ø 8,0	0,7 ÷ 2,0	
01862.02.11	28,0	45,0	15,0	41,0	Ø 8,0	0,7 ÷ 2,0	
04913.05.11	28,0	55,0	15,0	42,0	Ø 8,0	0,7 ÷ 2,0	
03176.02.11	24,0	40,0	15,0	37,0	Ø 8,0	0,7 ÷ 2,0	
04436.94.11	15,0	15,0	10,0	33,0	Ø 8,0	5,0	
06755.71.11	23,0	23,0	15,0	37,0	Ø 9,0	0,7 ÷ 2,0	
05576.44.11	15,0	15,0	12,0	30,0	8,0 x 8,0	0,7 ÷ 2,0	
05735.05.11	10,0	10,0	12,0	29,0	8,0 x 9,0	0,7 ÷ 2,5	
04911.94.11	10,0	10,0	12,0	22,0	15,5 x 6,5	0,7 ÷ 1,2	
04879.44.11	21,0	21,0	12,0	31,0	15,5 x 6,5	0,7 ÷ 1,5	

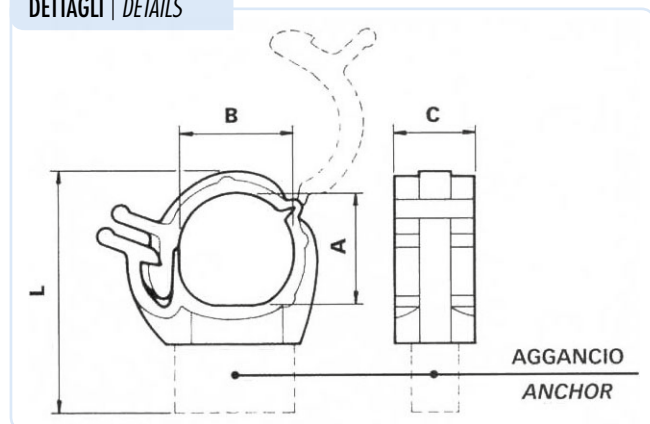


CHIUSURA TOTALE | With complete closure

MATERIALE | MATERIAL: Nylon 66 | PA 66

COLORI STANDARD | STANDARD COLOURS: Naturale - Nero | Natural - Black

DETTAGLI | DETAILS



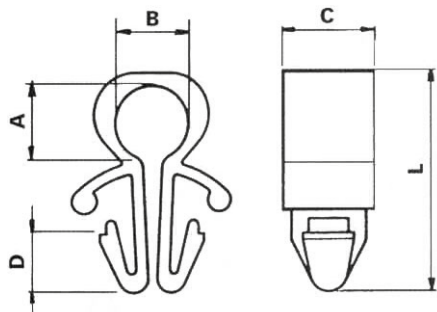
P/N	DIMENSIONI Sizes				PANNELLO Panel		AGGANCIO Anchor
	A	B	C	L	FORO Hole	SPESSORE Thickness	
00008.94.10	20,0	20,0	5,5	39,5	Ø 4,8 ÷ 5,0	0,8 ÷ 2,0	
02285.91.11	15,0	14,0 ÷ 18,0	11,0	34,0	Ø 6,5	0,6 ÷ 1,5	
05722.65.17	10,0	10,0	12,0	27,0	Ø 8,0	0,7 ÷ 1,5	
04536.05.11	13,2	13,2	12,0	28,6	Ø 8,0	2,0	
04094.65.11	20,0	20,0	12,0	36,0	Ø 8,0	0,7 ÷ 1,2	
04784.02.11	38,0	38,0	15,0	45,0	Ø 8,0	2,0	
05374.65.11	15,0	14,0	14,0	30,0	Ø 6,5	0,7 ÷ 1,5	

TIPO "OMEGA" | "OMEGA" Type

MATERIALE | MATERIAL: Nylon 66 | PA 66

COLORI STANDARD | STANDARD COLOURS: Naturale - Nero | Natural - Black

DETTAGLI | DETAILS

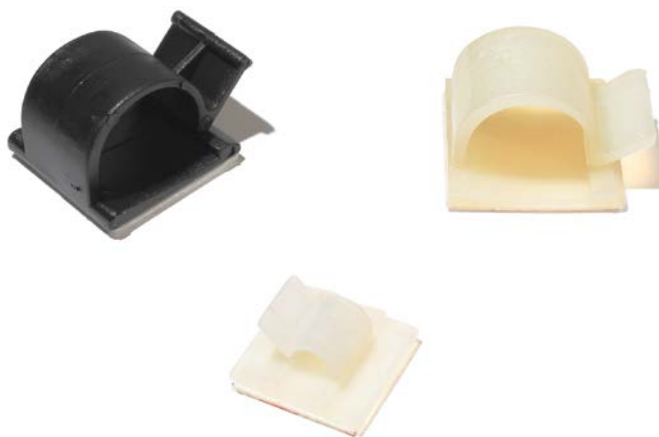
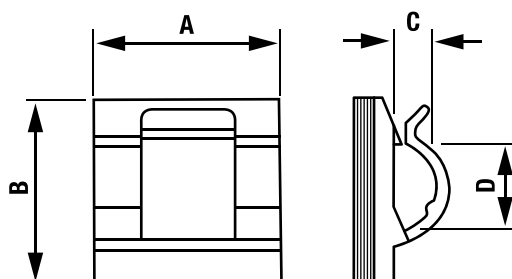


P/N	DIMENSIONI Sizes					PANNELLO Panel	
	A	B	C	D	L	FORO Hole	SPESSORE Thickness
01365.91.10	12,0	16,0	8,0	6,0	27,0	Ø 6,0	0,5 ÷ 2,0
00048.91.10	5,0	8,5	8,0	5,0	13,0	Ø 6,5	1,0 ÷ 3,0
00061.91.11	6,8	6,8	8,0	5,0	17,5	Ø 6,5	1,0 ÷ 2,5
00679.91.11	6,6	6,6	7,8	5,0	19,0	Ø 6,5	2,5 ÷ 4,0
00299.21.10	6,8	6,8	8,0	5,0	18,0	Ø 6,5	0,5 ÷ 3,0

MATERIALE | MATERIAL: Nylon 66 - Adesivo base gomma - Acrilico | PA 66 - Adhesive rubber base - Acrylic base

COLORI STANDARD | STANDARD COLOURS: Naturale - Nero | Natural - Black

DETTAGLI | DETAILS



P/N	DIMENSIONI Sizes				Ø MAX DI CAVI Max cable Ø
	A	B	C	D	
05430.07.10R	19,0	19,0	5,0	4,9	5,0
A2692.94.10	25,0	25,0	8,5	11,5	8,0
05432.07.10B	26,0	26,0	8,0	12,0	8,0
A2560.96.11	22,0	22,0	10,0	18,0	11,0
05436.07.10B	26,0	26,0	15,0	18,0	15,0
A1086.96.10	25,0	25,0	14,5	18,0	16,0
A0019.96.10	25,0	25,0	14,5	18,0	16,0
03801.71.11	30,0	16,0	5,0	10,0	2 x 5,0

PER CAVI PIATTI | For flat cables

MATERIALE | MATERIAL: Nylon 66 | PA 66

COLORI STANDARD | STANDARD COLOURS: Naturale | Natural



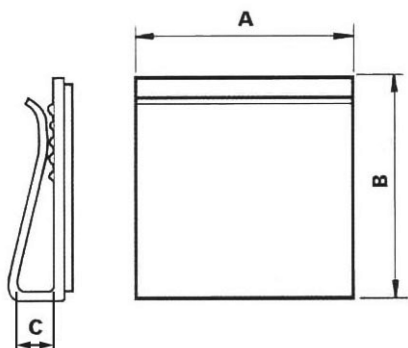
P/N	DIMENSIONI Sizes					TIPO DI FISSAGGIO Anchorage	TIPO Type
	A	B	C	D	L		
A1684.96.10	16,0	16,0	7,0	10,0	-	ADESIVO Adhesive	
C1686.94.10	16,0	44,0	8,0	12,0	33,5	VITE Screw	
A1686.96.10	16,0	44,0	8,0	13,0	33,5	ADESIVO Adhesive	
C1688.94.10	16,0	62,0	8,0	12,0	51,5	VITE Screw	
A1688.96.10	16,0	62,0	8,0	13,0	51,5	ADESIVO Adhesive	

PER CAVI PIATTI | For flat cables

MATERIALE | MATERIAL: PVC

COLORI STANDARD | STANDARD COLOURS: Grigio - Bianco | Grey - White

DETTAGLI | DETAILS



P/N	DIMENSIONI Sizes					TIPO DI FISSAGGIO Anchorage
	A	B	C	D	L	
00020.21.57	20,0	26,0	6	-	-	ADESIVO Adhesive
00025.21.57	25,0	26,0	6	-	-	ADESIVO Adhesive
00030.21.52	30,0	26,0	6	-	-	ADESIVO Adhesive

PER BORDO LAMIERA | Panel edge fixing

MATERIALE | MATERIAL: Nylon 66 | PA 66

COLORI STANDARD | STANDARD COLOURS: Naturale - Nero | Natural - Black



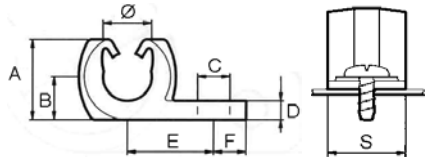
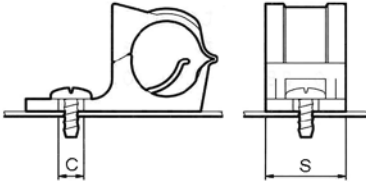
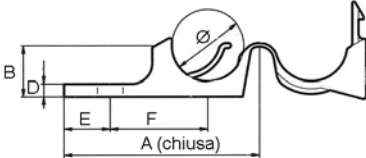
P/N	DIMENSIONI Sizes					SPESSORE Thickness	TIPO Type
	A	B	L	D	I		
A2460.96.11	22,0	Ø 8,5	21,0	15,0	8,0	0,7 ÷ 2,5	 MOLLETTA METALLICA METAL CLIP
00512.65.10	12,2	Ø 10,0	19,3	15,5	8,0	0,8 ÷ 1,5	
A4849.96.11	15,2	Ø 13,0	25,0	20,0	10,5	0,5 ÷ 2,5	
07118.71.11	15,0	Ø 10,0	21,0	15,0	8,5	1,0 ÷ 2,5	 MOLLETTA METALLICA METAL CLIP
03868.71.11	15,0	Ø 13,0	25,3	24,6	11,0	0,7 ÷ 2,5	
A4547.96.11	15,0	Ø 17,0	30,0	28,5	13,0	1,0 ÷ 2,5	
A3646.96.11	16,0	Ø 23,0	38,2	43,0	15,0	1,0 ÷ 2,5	
A8406.96.11	18,0	15 x 26	37,5	43,3	12,0	0,7 ÷ 2,5	
A7228.96.11	10,8	Ø 10 ÷ 15		11,1	9,8	0,7 ÷ 2,0	 MOLLETTA METALLICA METAL CLIP

CON FISSAGGIO A VITE | With screw fixing

MATERIALE | MATERIAL: Nylon 66 | PA 66

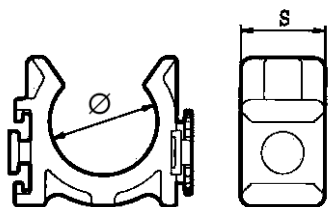
COLORI STANDARD | STANDARD COLOURS: Naturale - Nero | Natural - Black



P/N	DIMENSIONI Sizes								TIPO Type
	Ø	A	B	C	D	E	F	S	
00225.94.10U	7,5	13,0	7,0	4,3	3,0	14,0	6,0	10,0	
00242.94.11U	9,0	15,0	8,0	6,0	3,5	16,0	6,0	10,0	
00894.91.41U	11,2	16,0	8,0	6,2	2,2	20,0	6,0	11,0	
00678.70.10	14,5	24,0	-	5,0	1,8	20,0	7,5	12,0	
04970.05.11A	10,0	35,0	7,5	6,5	2,5	7,5	20,0	16,0	+ Boccola metallica Metal grommet
A7347.96.11	12,0	38,5	9,0	6,5	2,3	10,0	20,0	16,0	+ Boccola metallica Metal grommet
03405.05.11	14,0	39,0	11,0	6,5	2,5	9,0	19,0	16,0	
03405.65.11B	14,0	39,0	11,0	5,0	2,5	9,0	19,0	16,0	
04824.65.11	20,0	49,5	13,0	6,0	3,0	8,0	22,0	16,0	
03001.94.10	23,0	46,0	14,5	5,5	3,0	7,5	26,0	16,0	
03001.94.11A	23,0	46,0	14,5	6,5	3,0	7,5	26,0	16,0	
03181.65.11A	28,0	54,0	18,0	6,5	3,0	8,0	28,0	16,0	
05529.05.11A	33,0	51,0	16,5	6,5	4,0	7,5	28,0	16,0	

MATERIALE | MATERIAL: Nylon 66 | PA 66

COLORI STANDARD | STANDARD COLOURS: Nero | Black

DETTAGLI | DETAILS


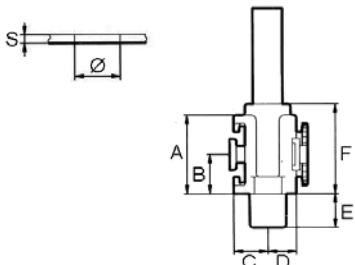
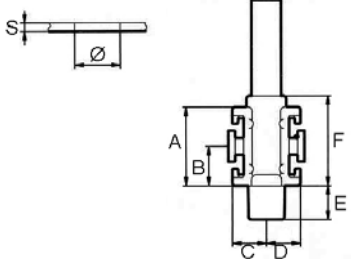
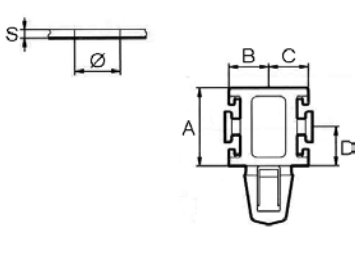
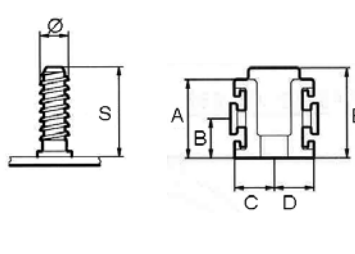
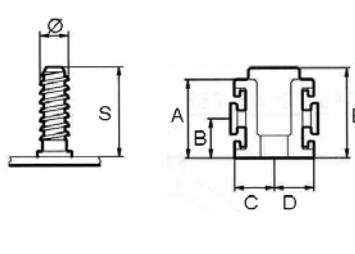
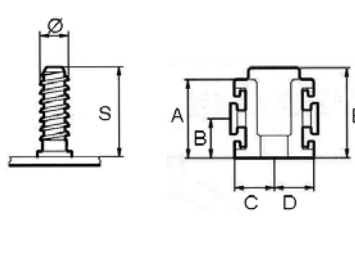
P/N	DIMENSIONI Sizes						TIPO Type
	Ø	S	A	B	C	D	
03828.65.11	6,0	11,0	14,0	7,0	5,0	7,0	
03826.65.11	8,0	11,0	14,0	8,0	6,0	7,0	
04448.94.11	9,0	11,0	14,0	8,5	6,5	7,0	
03861.44.11	10,0	11,0	14,0	9,0	7,0	7,0	
03860.65.11	12,0	11,0	14,0	9,7	7,8	7,0	
03943.65.11	14,0	11,0	14,0	11,5	9,5	7,0	
03945.94.11	18,0	11,0	14,0	14,0	12,0	7,0	
03946.65.11	20,0	11,0	14,0	15,3	13,2	7,0	
04441.94.11	22,0	11,0	14,0	16,3	14,3	7,0	
06455.03.11	27,0	11,0	14,0	19,0	17,0	7,0	
03919.65.11	5,0	11,0	14,0	7,5	5,5	7,0	
03920.94.11	6,3	11,0	14,0	9,0	7,0	7,0	
03947.05.11	8,0	11,0	14,0	10,5	8,5	7,0	
05554.65.11	10,0	11,0	14,0	11,3	10,0	7,0	
06071.05.11	12,0	11,0	14,0	11,5	11,5	7,0	
06072.65.11	16,0	11,0	14,0	14,0	14,0	7,0	

MODULARI | Modular

MATERIALE | MATERIAL: Nylon 66 | PA 66

COLORI STANDARD | STANDARD COLOURS: Nero | Black

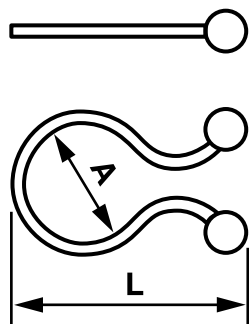


P/N	DIMENSIONI Sizes								TIPO Type
	Ø	S	A	B	C	D	E	F	
04693.03.11	6,5	0,7 ÷ 2,0	14,0	7,0	6,0	5,0	6,0	16,0	
03831.65.11	6,5	0,7 ÷ 2,0	14,0	7,0	6,0	6,0	6,0	16,0	
03832.05.11	8,0	0,7 ÷ 2,0	14,0	7,0	6,0	6,0	6,0	16,0	
03948.02.11	6,5	0,5 ÷ 1,5	14,0	7,0	7,0	7,0	-	-	
03949.94.11	8,0	0,7 ÷ 1,0	14,0	7,0	7,0	7,0	-	-	
03833.65.11	5,0	15,0	14,0	7,0	7,0	7,0	16,0	-	

STANDARD | Standard

MATERIALE | MATERIAL: Nylon 66 | PA 66**COLORI STANDARD** | STANDARD COLOURS: Naturale - Nero - Bianco | Natural - Black - White

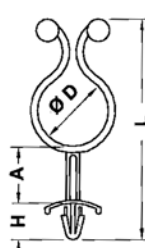
DETTAGLI | DETAILS

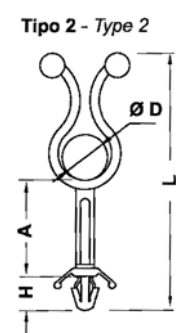


P/N	DIMENSIONI Sizes	
	MAX Ø A	L
00055.95.10	8,5	25,0
00056.95.10	12,5	30,0
08343.21.11	13,5 ÷ 16,0	35,0
08344.21.12	17,0 ÷ 20,0	40,0
06173.21.10	25,8	41,4
06174.21.10	29,0	55,5
00058.91.10	35,0	56,0

LACCI CON AGGANCIAMENTO | Wire ties with anchor

MATERIALE | MATERIAL: Nylon 66 | PA 66**COLORI STANDARD** | STANDARD COLOURS: Naturale | Natural**AUTOESTINGUENZA** | UL FLAMMABILITY: V2 - UL 94

P/N	DIMENSIONI Sizes				PANNELLO Panel		TIPO Type
	A	D (Chiuso Closed)	H	L	Ø FORO Hole	SPESSORE Thickness	
06274.21.10	4,8	5,4	8,0	32,5	4,8	0,8 - 2,0	Tipo 1 - Type 1 
06540.21.10	3,1	6,1	10,6	33,8	4,8 - 5,0	0,8 - 3,0	
06541.21.10	20,0	6,1	10,6	51,0	4,8 - 5,0	0,8 - 3,0	
06542.21.10	35,3	6,1	10,6	66,0	4,8 - 5,0	0,8 - 3,0	
06551.21.10	10,5	6,8	10,6	43,8	5,0	1,2 - 2,8	
06552.21.10	5,6	7,0	10,0	34,7	4,8 - 5,0	0,8 - 2,0	
06549.21.10	15,8	9,7	10,6	53,1	4,8 - 5,0	0,8 - 3,0	
06543.21.10	2,8	9,8	10,6	39,6	4,8 - 5,0	0,8 - 3,0	
06544.21.10	20,0	9,8	10,6	56,8	4,8 - 5,0	0,8 - 3,0	
06545.21.10	35,2	9,8	10,6	71,5	4,8 - 5,0	0,8 - 3,0	
06546.21.10	3,0	13,8	10,6	42,0	4,8 - 5,0	0,8 - 3,0	
06114.21.10	20,4	13,8	10,6	59,3	4,8 - 5,0	0,8 - 3,0	
06115.21.10	35,8	13,8	10,6	74,7	4,8 - 5,0	0,8 - 3,0	
06547.21.10	16,2	18,4	10,6	63,5	4,8 - 5,0	0,8 - 3,0	
06550.21.10	5,0	18,7	11,8	55,3	4,8 - 5,0	0,8 - 3,0	
06548.21.10	3,0	22,3	9,8	56,8	4,8 - 5,0	0,8 - 2,5	
00052.21.10	12,3	12,5	10,5	54,0	6,5	0,5 - 2,0	
06538.21.10	3,0	7,2	5,5	26,7	4,0	0,8 - 2,2	
06536.21.10	34,0	5,0	7,5	59,8	4,8	0,8 - 2,2	
06539.21.10	43,5	10,1	7,9	78,1	4,8	0,8 - 2,2	
06537.21.10	4,5	10,4	7,5	37,7	4,8	0,8 - 2,2	
06535.21.10	21,0	10,4	7,5	56,5	4,8	0,8 - 2,2	



INSERIMENTO DALL'ALTO | Upper insertion

MATERIALE | MATERIAL: Nylon 66 | PA 66

COLORI STANDARD | STANDARD COLOURS: Naturale | Natural



P/N	DIMENSIONI Sizes		
	H	A	B
15003.16.10	23,4	26,9	18,2
15004.16.10	31,3	34,8	26,1
15003.16.V0	23,4	26,9	18,2
15004.16.V0	31,3	34,8	26,1

5.85 Foro fissaggio | Dia. hole: \emptyset 4,75
Spessore pannello | Thk. panel: 1,6

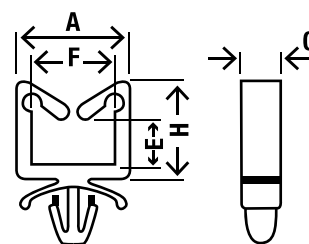
P/N	DIMENSIONI Sizes		Spessore Pannello Panel Thickness
	A	B	
16001.16.V0	5,8	1,7	1,6
16002.16.V0	11,2	1,7	1,6
16003.16.V0	11,2	2,3	2,2
16004.16.V0	5,8	2,45	2,36

6.9 1.9
A B 1.2
1.3
Foro
Hole diameter
 $1,75 \pm 0,05$

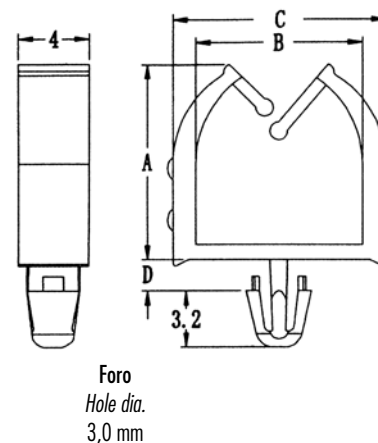
INSERIMENTO DALL'ALTO | Upper insertion

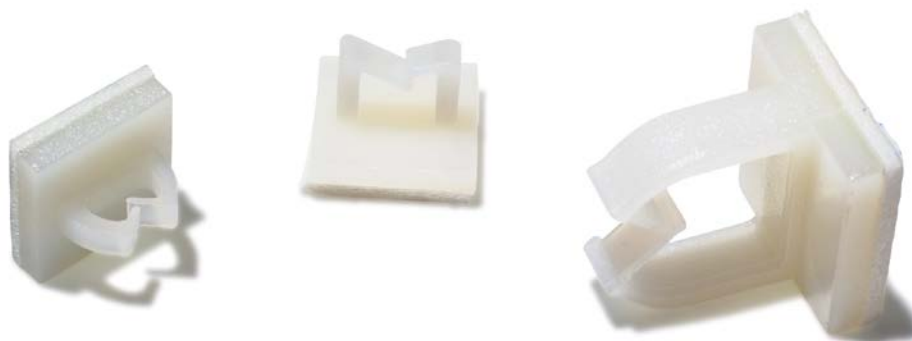
MATERIALE | MATERIAL: Nylon 66 | PA 66**COLORI STANDARD** | STANDARD COLOURS: Naturale | Natural

P/N	DIMENSIONI Sizes						
	A	H	C	E	F	Ø FORO Hole	SPESSORE Thickness
06249.21.10	15,0	12,0	5,3	5,0	11,2	4,8	0,8÷2,0
05595.21.10	15,0	17,0	5,3	10,0	11,2	4,8	0,8÷2,0
06250.21.10	15,0	26,0	5,3	19,0	11,2	4,8	0,8÷2,0
06251.21.10	15,0	34,0	5,3	27,0	11,2	4,8	0,8÷2,0

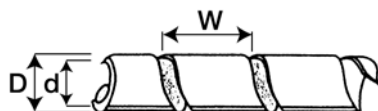


P/N	DIMENSIONI Sizes				Spessore Pannello Panel Thickness
	A	B	C	D	
39001.16.10	7,3	6,1	9,1	1,8	1,6
39002.16.10	9,1	8,2	10,8	1,8	1,6
39003.16.10	11,2	9,4	12,0	1,8	1,6
39004.16.10	13,0	9,4	12,0	1,8	1,6
39005.16.10	7,3	6,7	9,1	2,6	2,4
39006.16.10	9,1	8,2	10,8	2,6	2,4
39007.16.10	11,2	9,4	12,0	2,6	2,4
39008.16.10	13,0	9,4	12,0	2,6	2,4



MATERIALE | MATERIAL: Nylon 66 | PA 66**COLORI STANDARD** | STANDARD COLOURS: Naturale | Natural**AUTOESTINGUENZA** | UL FLAMMABILITY: V2 - UL 94

P/N	DIMENSIONI Sizes						
	A	B	C	D	E	F	
06358.21.10	6,9	4,1	9,5	2	4	5,7	<p>Tipo 1 Type 1</p>
06273.21.10	11,9	9,3	12,7	4	11,4	13,7	
06271.21.10	6,9	4,5	9,6	2	-	6,5	<p>Tipo 2 Type 2</p>

SPIRALE IN POLIETILENE | *Spiral Wrap***MATERIALE** | **MATERIAL:** Polietilene LD (bassa densità) | *PE LD (Low density polyethylene)***COLORI STANDARD** | **STANDARD COLOURS:** Naturale - Nero | *Natural - Black*DETTAGLI | *DETAILS*

P/N	DIMENSIONI <i>Sizes</i>		
	D	d	W
01001.07.20	3,5	2,3	5
01002.07.20	5,0	3,7	7
01003.07.20	8,0	6,5	10
01004.07.20	10,0	8,2	12
01005.07.20	12,0	10,0	14
01008.07.20	14,0	12,0	16
01010.07.20	20,0	17,6	22
01011.07.20	25,0	22,2	27

